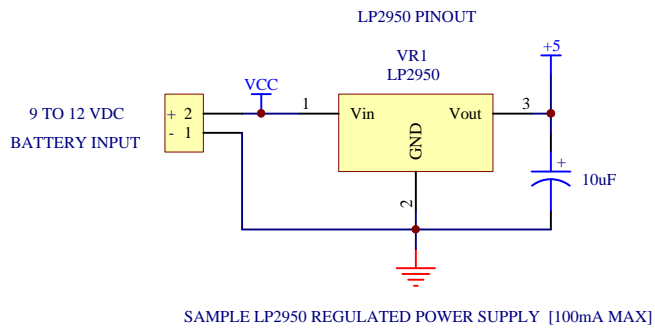
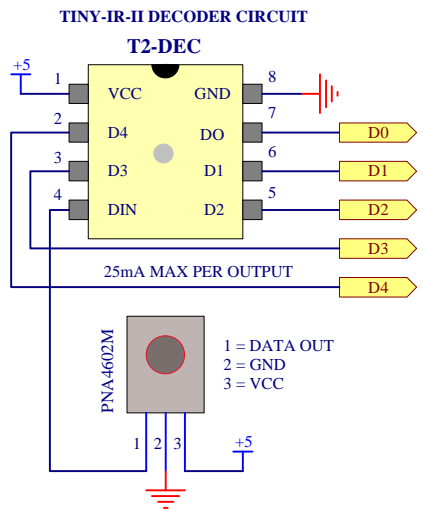
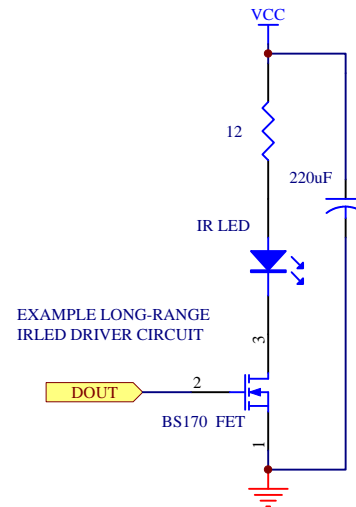
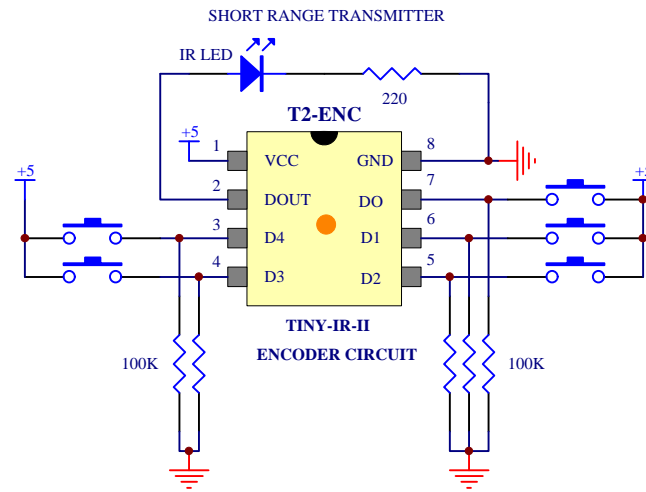


SILVER DOT = DECODER



GOLD DOT = ENCODER



Title		
TINY-IR II EXAMPLE ENCODER/DECODER CIRCUITS		
Size	Number	Revision
Orcad A		1.0
Date:	17-Apr-2006	Sheet of
File:	C:\CAD\SCHEMATICS.Ddb	Drawn By: B. REYNOLDS