

IR-D15A

15-Bit Infrared Remote Control Decoder IC

Quick & Easy - Infrared Remote Control

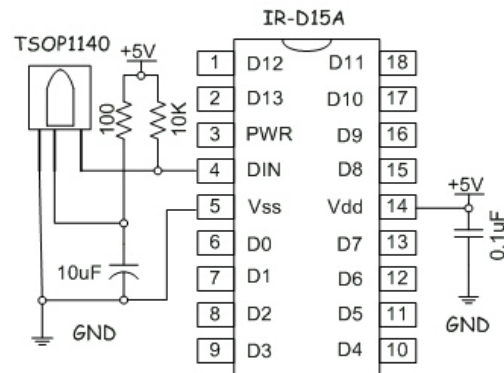
The IR-D15A IC is a custom pre-programmed microcontroller designed by Reynolds Electronics to decode Sony® Corporation's infrared remote control command protocol. Add instant remote control to your next robotics application, OEM products, or hobby projects with the IR-D15A and an "off-the-shelf" inexpensive universal remote control transmitter.

Use the IR-D15A IC with any universal IR remote control transmitter that supports the Sony® IR protocol for simple, and "instant" remote control solutions. If you can program your IR remote control transmitter to use the Sony® IR data protocol, you can control the IR-D15A IC.

The IR-D15A provides 15 individually controlled digital outputs. 14 are "momentary" outputs, with one "latching" output for remote power control or an LED indicator.

IR transmitter buttons 1 through 0, channel up, channel down, volume up, and volume down are used to control the 14 IR-D15A momentary digital output pins as shown in the table below.

The Power or ON/OFF button on the transmitter controls the latching PWR output, and can be used for turning power ON/OFF in the remote controlled circuit.



Two capacitors, two resistors, and a 40KHz infrared detector module with the IR-D15A IC complete the remote control receiver circuit. The capacitors & resistors shown above are to filter or eliminate power supply noise, and will enhance overall performance & operating range.

Include IR remote control in your next product, robot, or home control project in minutes...!

Transmitter Button #	Controls IR-D15A Output Pin #	Transmitter Button #	Controls IR-D15A Output Pin #
1 ->	6 / D0	9 ->	15 / D8
2 ->	7 / D1	0 ->	16 / D9
3 ->	8 / D2	Channel Up ->	17 / D10
4 ->	9 / D3	Channel Down ->	18 / D11
5 ->	10 / D4	Volume Up ->	1 / D12
6 ->	11 / D5	Volume Down ->	2 / D13
7 ->	12 / D6	Power ON/OFF ->	3 / PWR
8 ->	13 / D7		

